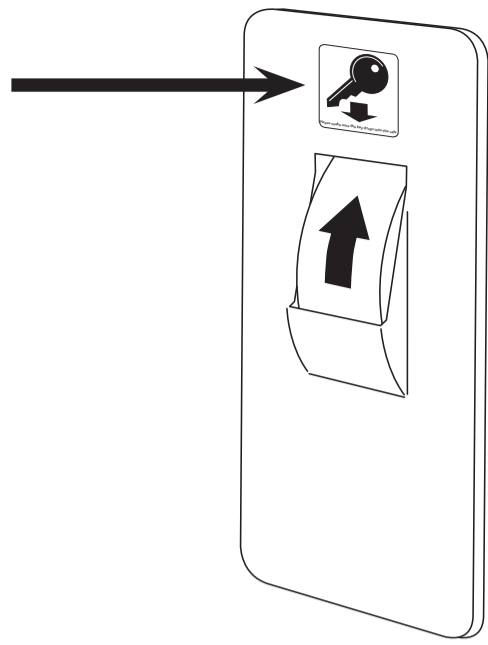


6

Place the instruction sticker in the middle above the deposit wheel.



### Maintenance

Regularly check whether the drainage holes on the bottom of your KeySecurityBox are open and whether all the bolts are still solid and in place. Treat for possible rust.

### Questions?

Ask your supplier, check on [www.keysecurityproducts.com](http://www.keysecurityproducts.com) or send an email to [info@keysecurityproducts.com](mailto:info@keysecurityproducts.com).

### Disclaimer with respect to installation, breakage and theft

The manufacturer and vendor of the KeySecurityBox are not liable for the installation. The installation is easy although we recommend you ask a contractor or other professional to do it for you. The KeySecurityBox is intended for depositing keys and keycards and not for paper and other objects that may get stuck in the deposit wheel. The KeySecurityBox is an anti-theft and anti-breakage box, although with excessive violence theft and breakage are possible. The use is therefore for personal risk and the manufacturer and vendor of the KeySecurityBox are not liable for breakage or theft or physical harm caused by its incorrect use.

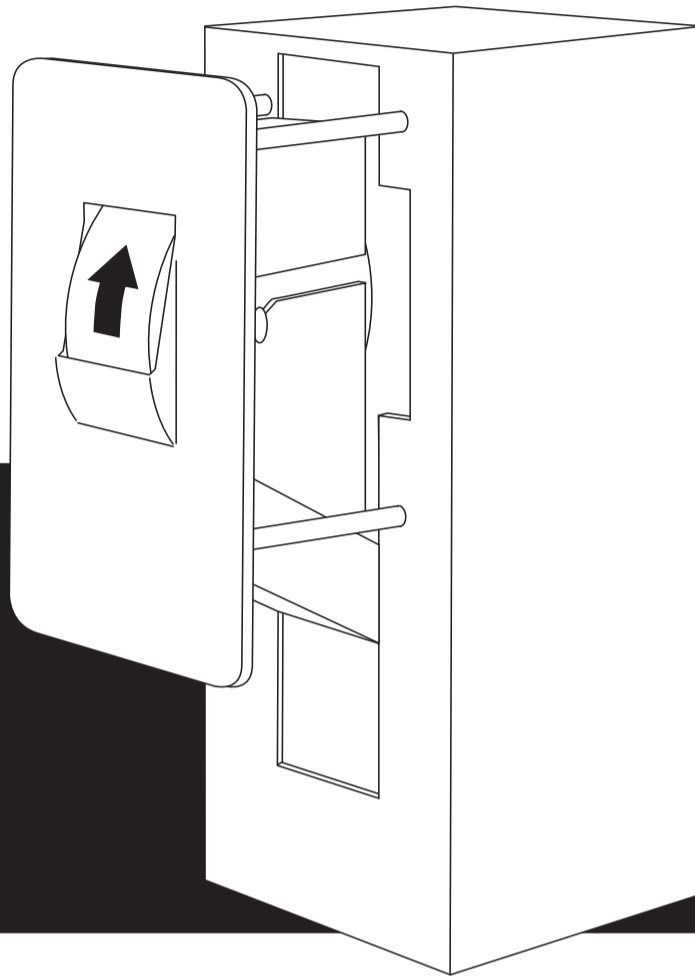
© 2012 Holland Commerce

## SIMPLE SOLID SAFE



# KEYSECURITYBOX™

## SOLID AS A ROCK



## KSB 007

Installation in a wall with inner safe and slide.

[www.keysecurityproducts.com](http://www.keysecurityproducts.com)

**Congratulations on choosing our ultra-reliable KeySecurityBox, the ideal solution for keys and keycards. The KeySecurityBox is extremely durable and, thanks to the range of models, there's always a solution to meet your need.**

You have chosen the KSB 007, intended for installation in a wall, with an inner safe and slide.

Note: before you start, make sure you are not installing the safe in a place with pipe in the wall or where you are interfering with the load-bearing construction. If you are in doubt consult a construction advisor.

### Specifications

Model: KSB 007  
Dimensions safe:  
215 x 505 x 175 mm  
Dimensions façade plate:  
180 x 320 x 140 mm  
Weight: 20 kg  
Colour: RAL 9006

### Box content KSB 007

- 1 x KeySecurityBox
- 1 x Slide
- 1 x floor mat for in the safe
- 1 x covering plate
- 4 x Ring ø 20 mm
- 4 x thread end
- 4 x Nut M8
- 1 x instruction sticker
- 2 x safe keys
- 1 x key hanger

### You will need the following for installation (not included)

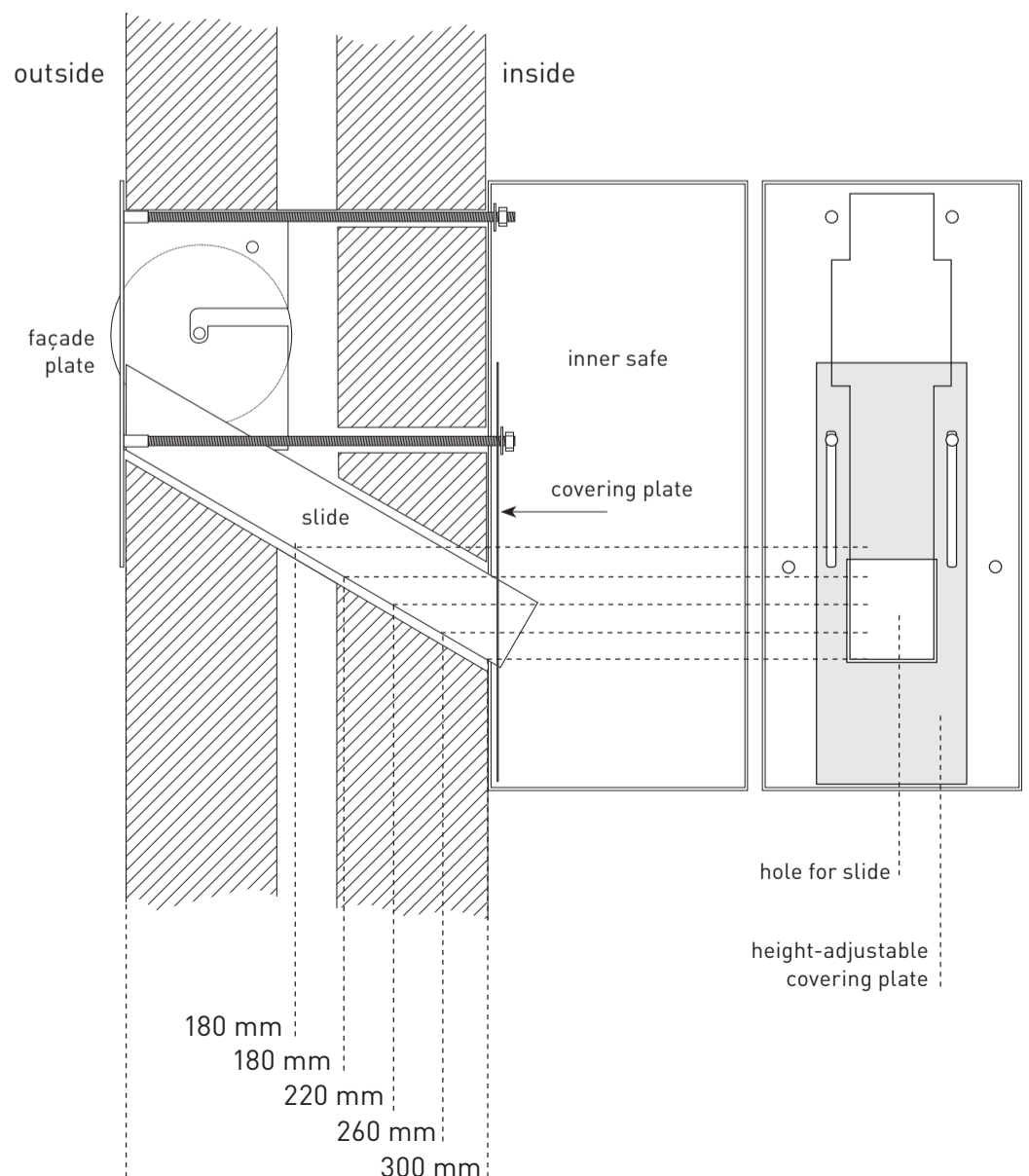
- Measure
- Pencil/pen
- Spirit level
- hammer drill with drill and chisel
- angle grinder with diamond cutter and metal grinding plate
- Spanner/wrench
- Hammer and chisel

Use the key hanger included. It is larger than the hole in the deposit wheel so you cannot throw your keys into the safe by accident.



1

Determine where you want to place the safe. Make sure there is enough room for the façade plate and the inner safe. Also take account of pipes and other construction limitations.



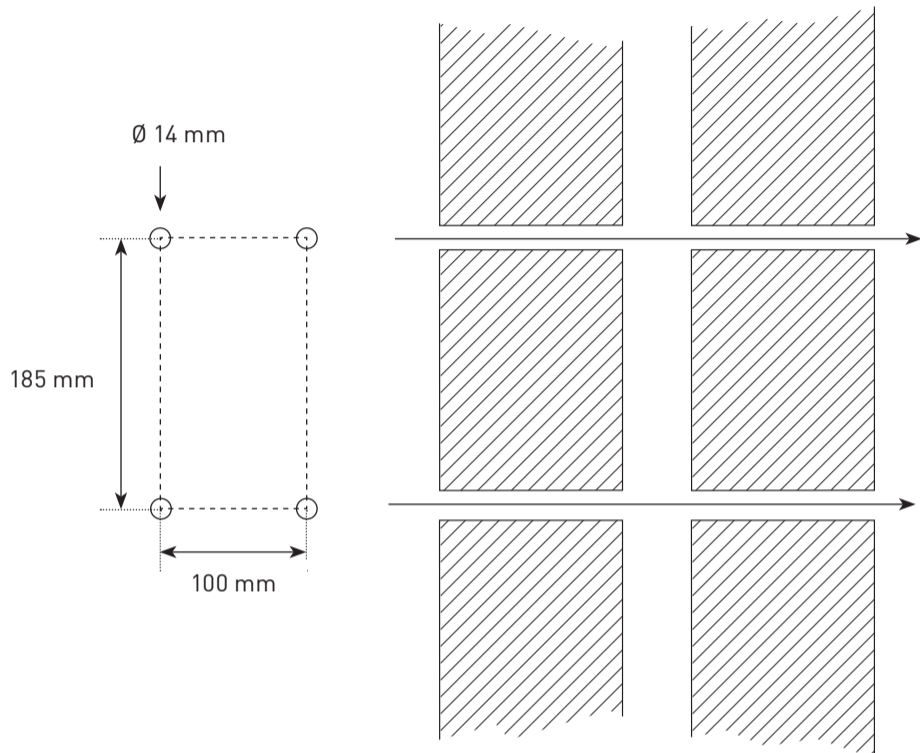
**2**

The wall thickness shown is 30 centimeters. You can also place the safe in a thinner or thicker wall (see table). Draw the four drilling holes for the thread ends that are going to pass through the wall. Drill the holes (Ø 14 mm) horizontally through the whole wall. The holes have to be the same size inside so that the thread ends exit properly into the holes of the inner safe.

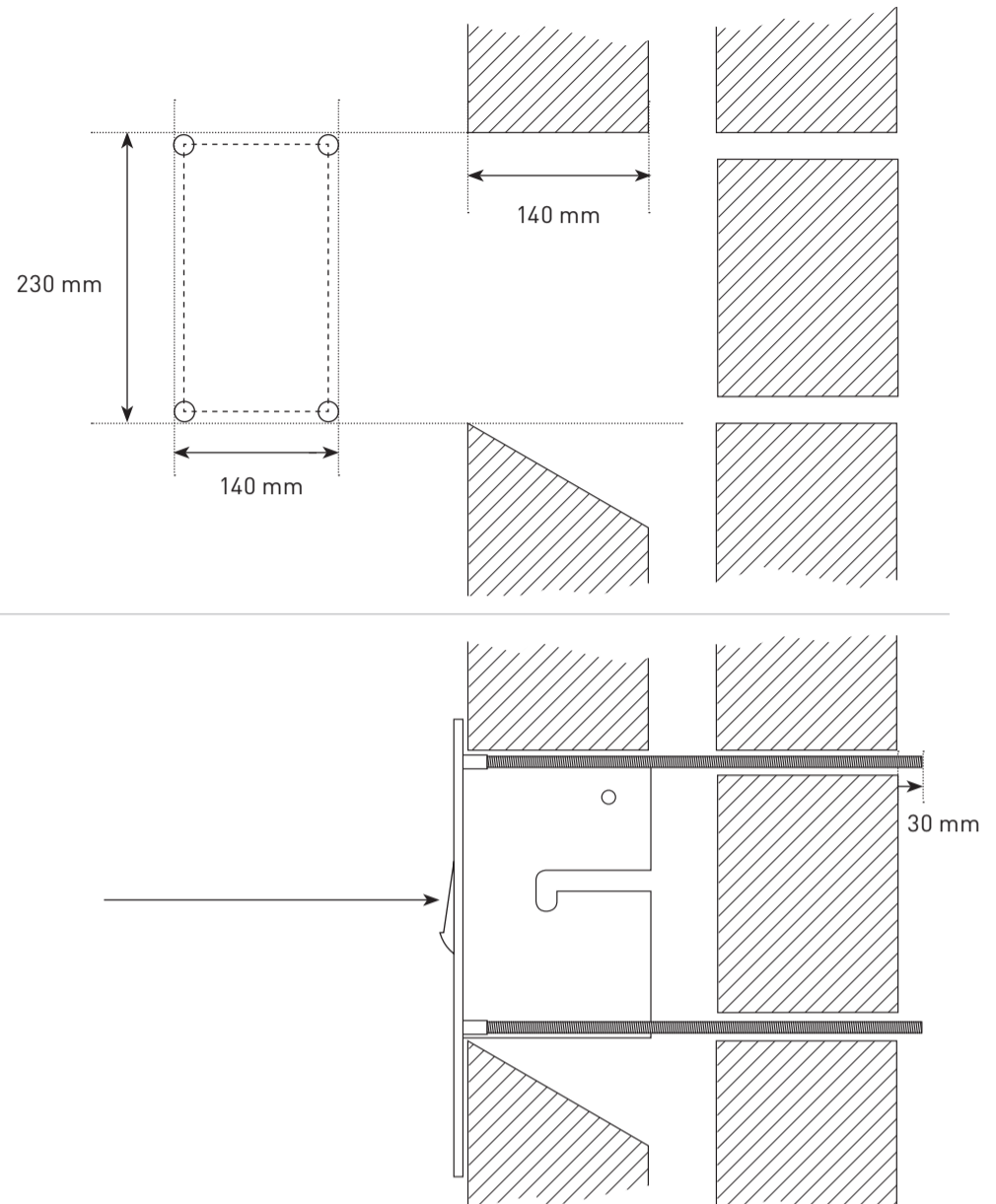
NB1 For walls thinner than 14 centimeters you will need to make the inner wall thicker, for example by placing a multiplex panel.

NB2 For walls thicker than 50 centimeters you will have to make some alterations, whereby the inner safe is lower than the façade plate so that the thread ends cannot be anchored in the inner safe.

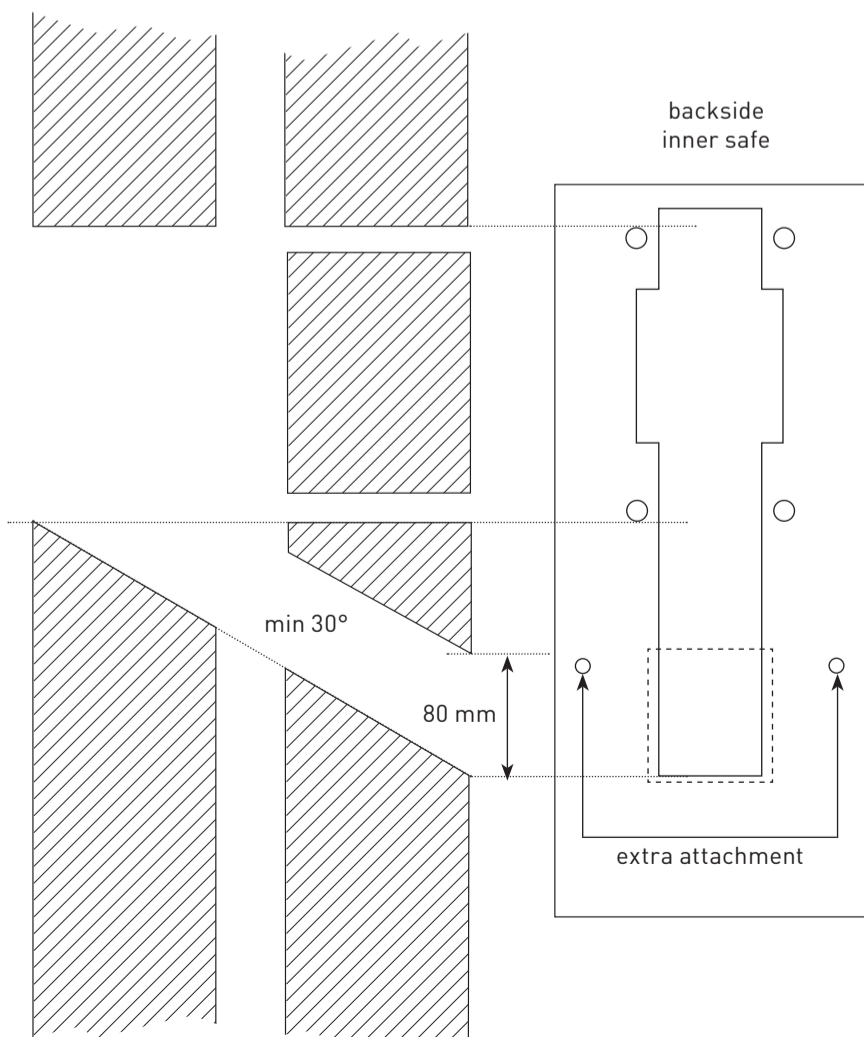
NB3 For a sandwich panel, a stainless steel/inox plate (450x450x3 mm) will have to be applied between the façade plate and the outer wall. Fill the space in the wall with wood (multiplex). If necessary strengthen the inner wall with a multiplex panel between the wall and the inner safe.

**3**

Make a recess of 140 x 230 x 140 mm (bxhxd) in the outer wall to hold the façade plate/roll (140 mm deep). The lower incision must face downwards at an angle. Turn the thread ends into the sleeve of the façade plate. Push them through the wall. Draw on the thread ends so that once you have sawn them off they still stick out by 3 centimeters.

**4**

Temporarily place the inner safe over the thread ends and place two nuts on them (make sure the façade plate does not fall out of the wall and get damaged!). On the wall draw the recess for the hole of the slide. For walls thicker than 30 centimeter the recess on the inner safe will have to be lower so that there is a slope of at least 30°.

**5**

Place the façade plate, inner safe and adjusted slide. Place the rings and nuts on the thread ends. The covering plate in the inner safe goes on the lower thread ends, and the slide sticks out slightly through the hole. Place the plastic mat on the bottom of the safe.

